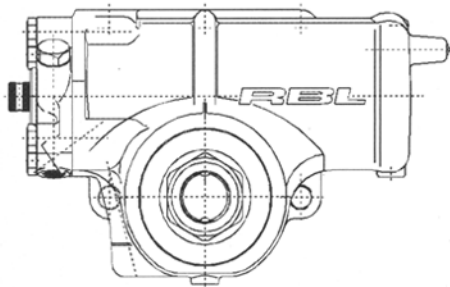


# HYDRAULIC ASSISTED STEERING GEARS

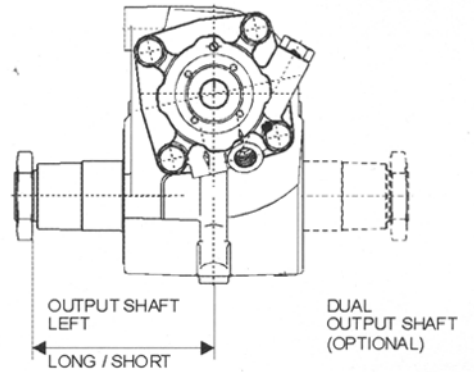
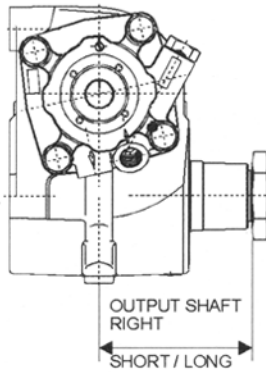
## VARIATIONS OF INSTALLATION

**RBL**  
BREMS- UND LENKSYSTEME GmbH

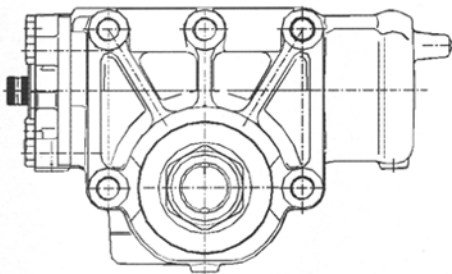
### STEERING GEAR



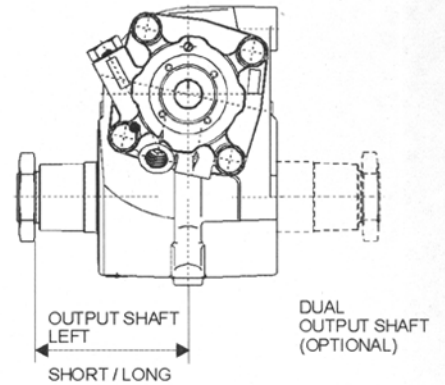
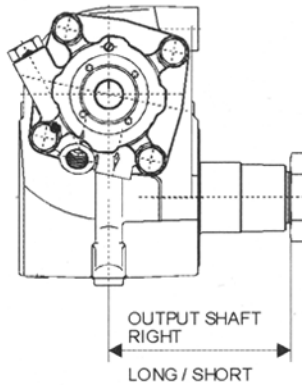
### FIXATION - LEFT



### STEERING GEAR

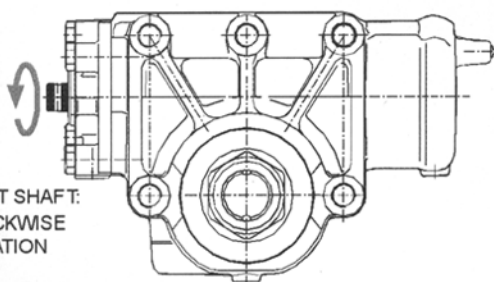


### FIXATION - RIGHT

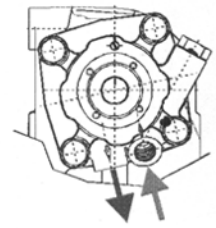
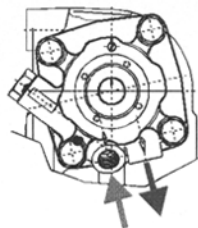


### ROTATION OF OUTPUT SHAFT

### VALVE BODY



FOR LEFT AND RIGHT HAND SIDE



INLET  
OUTLET

OUTPUT SHAFT: ROTATION ANTICLOCKWISE  
OR ROTATION CLOCKWISE

POSITION OF CONNECTIONS OF INLET  
AND OUTLET ARE CHANGEABLE AT EVERY 90°